



**WELDLINE**<sup>®</sup>  
by Lincoln Electric



# ACCESSORIES

MORE COMFORT & SAFETY FOR WELDERS

# CATALOGUE 2022

# SUMMARY



## PERSONAL PROTECTION EQUIPMENT

- ◆ Helmets ..... 6 - 28
- ◆ Respiratory protection ..... 29
- ◆ Helmets and handshields ..... 30 - 31
- ◆ Welding glasses ..... 32 - 33
- ◆ Goggles / spectacles ..... 34 - 37
- ◆ Leather clothes ..... 40 - 47
- ◆ Welding shoes ..... 48 - 49
- ◆ Welding gloves ..... 50 - 55
- ◆ WELD'her ..... 56 - 58



## GENERAL ARC WELDING

- ◆ Cables and connectors ..... 60 - 61
- ◆ Clamps ..... 62 - 63
- ◆ Magnetic ground clamps ..... 64 - 65
- ◆ Hammers / brushes ..... 66
- ◆ Tools ..... 67



## MMA WELDING

- ◆ Electrode holders ..... 70 - 73
- ◆ MMA kits *[electrode holder with cable + clamp with cable]* ..... 74
- ◆ Gouging torches ..... 75
- ◆ Gouging electrodes ..... 76
- ◆ Ovens / Quivers ..... 77 - 80
- ◆ Welding accessories ..... 81



## MIG/MAG WELDING

- ◆ MIG/MAG Torches ..... 84 - 89
- ◆ Ceramic backings ..... 90 - 91
- ◆ Other accessories ..... 92



## TIG WELDING

- ◆ TIG torches ..... 94 - 99
- ◆ Tungsten electrodes ..... 100
- ◆ Other accessories ..... 101 - 102



## PLASMA CUTTING

- ◆ Plasma torches ..... 104 - 106



## FLAME

- ◆ Hoses / Automatic roller for oxygen hoses ..... 109
- ◆ Quick action coupling ..... 110 - 111
- ◆ Cutting nozzles and other flame accessories ..... 112



## LIQUIDS & SPRAYS

- ◆ Anti-spatters ..... 115 - 116
- ◆ Anti-corrosion / Heat protection ..... 116
- ◆ Cracks detection ..... 117
- ◆ Non destructive cracks detection ..... 118
- ◆ Cooling liquid for torches / Leakage control ..... 119
- ◆ Stainless steels treatment ..... 120
- ◆ Cleaning, polishing and marking of stainless steels ..... 121



## CUTTING & GRINDING DISKS

- ◆ Cutting and grinding disks ..... 124 - 126

**Pure Stream** is an initiative to help reducing the exposure of welding fumes to the welders.



## PURE STREAM FUME MANAGEMENT IN 3 STEPS

1. Optimization
2. Ventilation & exhaust
3. Safe work practice and PPE

When used properly, the solutions proposed by LINCOLN ELECTRIC can significantly reduce the amount of fumes inhaled by welders.



## GLOBAL SOLUTION TO REDUCE THE EXPOSURE TO WELDING FUMES

Where welding operations are concerned, safety is directly connected to air quality. PURE STREAM is not only a customized offer but also an initiative to reduce the exposure of welding fumes to the welders.

**Europure Plus 5500 LS**  
**Zephyr 4500LS**  
**Flipair 4500 LS**  
**CLEANSPACE 2™**

Bring fume protection and filtered air directly to the operator in difficult environments and keep it there all day with the ZEPHYR LS Powered Air Purifying Respirator or the CLEANSPACE2™.



Contact us for more information.



HELMETS  
HELMETS

## PAPR SOLUTION

Auto-darkening helmets with PAPR  
Comparison - Tailored Features

Specifications	Europure Plus 5500 LS	Zephyr LS/Flipair 4500 LS
Variable Shade Range/Control	5-13 Internal	5-13 Internal
Graphic options	1	2
Optical Clarity Rating	1/1/1	1/1/2
Auto-Darkening Viewing Area	107 x 75 mm	97 x 60 mm
Grind Mode Shade / Control	DIN4/Internal	DIN3,5/Internal
Delay Control Dark to Light (sec)	0,1-1,0 s fully adjustable	0,1-1,0 s fully adjustable
Number of Arc Sensors	4 independent optical sensors	4 independent optical sensors - Magnetic in X mode
Weight (g)	793 + 1867	938 + 1760
Lens Switching Speed (sec)	1/25,000	1/25,000
Optic Technology	Light Shade Technology	Light Shade Technology
Magnifying "Cheater" Capable Lens	Yes	Yes
TIG Amp Rating	≥2 A /DC ≥2 A /AC	≥2 A /DC ≥2 A /AC
Light Sensitivity Control	Continuous	Continuous
Bonus accessories	Side Windows + Planch of stickers + Duffle Bag + Bandana+Shoulder Straps	Duffle Bag +Shoulder Straps
Cartridge Size (mm)	156 x 123 mm	110 x 90 mm
Auto-Darkening Viewing Area (mm <sup>2</sup> )	8025	5820
Headgear Type	Advanced Headgear	FLEXTECH I
Battery Type	Solar cells + 2 exchangeable lithium batteries Battery type: Rechargeable Li-ion Battery (More effective)	Solar cells + 2 exchangeable lithium batteries Battery type: Rechargeable Li-ion Battery (More effective)
Low Battery Indicator	Visible, Audible and Vibrate alarms to ensure safety	Visible, Audible and Vibrate alarms to ensure safety
Stand by time of battery (h)	9	8
Time of charge of battery (h)	1	4
Air flow rate (l/min)	Low speed: 170l/min High speed: 210l/min	Low speed:160l/min High speed:200l/min
Battery Type	Solar cell + 2 CR2450 Replaceable Batteries	Solar cell + 2 CR2450 Replaceable Batteries

Value Proposition

The ultimate welder protection - TH3 Class

Complete solution designed to protect welders  
in the most effective way - TH2 Class

(EU) 2016/425 (PPE)  
 EN 166:2001,  
 EN 379:2003+A1:2009,  
 EN 175:1997,  
 EN 12941:2009-02

# HELMETS

# EuropurePLUS™ 5500 LS



## POWERED AIR PURIFYING RESPIRATOR-TH3 Class

The **EuropurePLUS™ 5500 LS** Powered Air Purifying Respirator features a smart blower system, integrated grind shield & side windows and an extra large auto-darkening lens with our exclusive light shade technology.

What's Included:

- ◆ EuropurePLUS™ 5500 LS with Powered Air Purifying Respirator Welding Helmet
- ◆ 5pcs front cover lens
- ◆ 2pcs inner cover lens
- ◆ 1 set side lens cover
- ◆ Pre-Filter
- ◆ 2 Filter
- ◆ Lithium Ion Battery
- ◆ Spark Screen
- ◆ 120V Battery Charger
- ◆ Hose with Cover
- ◆ Padded Belt
- ◆ Headcovering
- ◆ Shoulder Straps
- ◆ Airflow Indicator
- ◆ Duffle Bag



**WARRANTY**  
**1** YEAR  
 Blower



**WARRANTY**  
**2** YEARS  
 Welding  
 Helmet



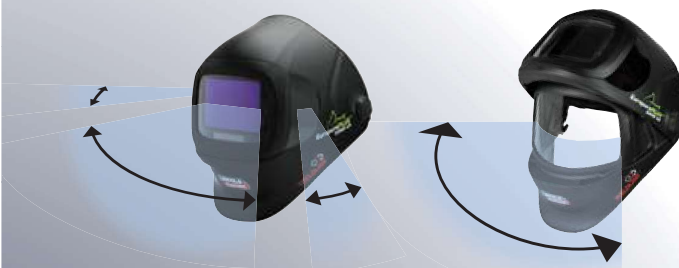
## Extra Large Auto-Darkening Lens

The 8 025 mm<sup>2</sup> auto darkening lens provides a large field of view to increase versatility and operator control.



## Maximising Field of View

The integrated clear grind shield and shade 5 side windows increase field of view in both the open and closed positions to offer productivity and safety enhancements.



## Auto-Darkening Lens Specs

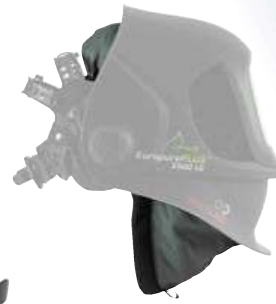
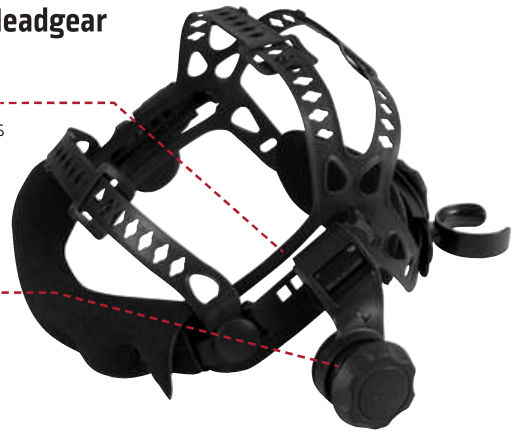
Variable shades 	Arc sensors 	Optical class 
Low TIG amps rated 	Grind mode / Shade control 	Lens switching speed 
Comfort 	Viewing area 	Class 

# HELMETS

## Advanced Headgear

Easy forward and backward slide adjustments

Vertical position lock



## Comfortable Headcovering

- ◆ Flame Retardant Cotton with super soft seal.
- ◆ Two small drawstrings to adjust fit and comfort.
- ◆ Easily replaceable via hook & loop seal.

## Side Window Covers

- ◆ Used to block all light from entering through the side windows.
- ◆ Lightweight & easy to install.



## Respiratory Specs

Easy on, off & airflow adjustments

Dynamic flow rate

Battery life indicator

Battery charge time



Lithium ion battery

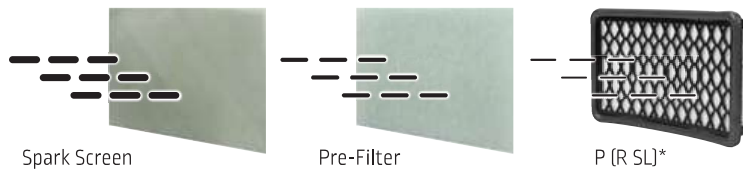


Filter life indicator

Audible and Vibrating alerts for low battery filter life

- ◆ **Easily adjustable:** One-touch operation.
- ◆ **User-friendly:** Indicator lights on display screen to check the status.
- ◆ **More considerate:** Visible, Audible and Vibrate auto alarming function to ensure safety.
- ◆ **High quality:** High level respirator protection EN 12941 TH3 P R SL.

## Multi-Component Filter System



\* Particulates (R=replaceable, SL=test against sodium chloride and paraffin oil)

## Specification

	EuropurePLUS™ 5500 LS
Air flow rate	Low speed: 170+ lpm(6+cfm) High speed: 210+ lpm(74+cfm)
Battery	Battery type: Rechargeable Li-ion Battery (More effective)
Air flow rate	Battery duration: 9 hours (Standard battery, 170+lpm) 5-6 hours (Standard battery, 210+lpm) Battery charge time: 1 hour (Standard battery) Battery life: 550 charges
Filter	Filter efficiency: ≥99.97%
Operating Temp.	Offering particulate protection from dust and welding fume hazards. For use with all welding applications. Visible, Audible and Vibrate alarms to ensure safety. -5 °C ~ +55 °C (23 °F ~ 131 °F)
Storing Temp.	-10 °C ~ +55 °C (14 °F ~ 131 °F)
Operating Relative Humidity	< 90%
Storage Relative Humidity	< 85%
Head Covering	FR Flame Retardant
Weight	2.66 kg (mask + air flow system)
PAPR Certification	EN 12941 TH3 P R SL
Warranty - Blower Assembly	1 Year
Warranty - Helmet Auto Darkening Lens	2 years
<b>To order</b>	
Complete PAPR Systems	W403676

List of spare parts : see page 28



(EU) 2016/425 (PPE)  
 EN 166:2001,  
 EN 379:2003+A1:2009,  
 EN 175:1997,  
 EN 12941:2009-02



HELMETS  
 HELMETS

# ZEPHYR LS / FLIP'AIR LS



**The ultimate welder protection.**

**Discover a complete solution designed to protect welders in the most effective way.**

With the ZEPHYR LS / FLIP'AIR LS solution, you will find in a rugged carry bag:

- ◆ The ZEPHYR or FLIP'AIR helmet,
- ◆ The ZEPHYR air flow system,
- ◆ A protected hose connection,
- ◆ A shoulder strap,
- ◆ A battery charger,
- ◆ An air flow-meter,
- ◆ One extra filter.

Helmet with powered and filtered airflow



**FLIP'AIR 4500 LS**  
 W000403675

Flip-up LCD filter for grinding



Grinding mode with external button



**ZEPHYR 4500 LS**  
 W000403674



**WARRANTY**  
**2**  
**YEARS**

**Autodarkening LCD filters with wide vision field.**

**Filter Advance 4500 LS - Infotrack shade 3/8-13:**

**The top-of-the-range solution for any application:**

4 adjustment modes from an LCD screen with digital keys:

- ◆ Welding: variable shades 8-13, 4 optical sensors, sensitivity regulation and return to a clear shade.
- ◆ Grinding: filter activation in clear shade level 3 (except on FLIP'AIR with its flip-up front filter).
- ◆ Cutting, low current welding: adjustable shades 5 to 8 for low intensity TIG process, microplasma, oxy-fuel gas welding...
- ◆ "X mode": adjustable shade 3 to 8-13 with magnetic sensors for outside use or obscured arc welding

Infotrack system: provides useful information [current time - total welding time - alarm - temperature].



# HELMETS

## FLIP'WELD?

### The ZEPHYR LS / FLIP'AIR LS air flow system

- ◆ Air flow system: **2 flow rates** (low 160 l/min and high 200 l/min).
- ◆ This equipment includes an indication of the **chosen flow**, an indication of the **battery charge**, and **two alarms** in case of flow insufficiency: **a tone and a vibration**. This is important for the welder who is often in a noisy environment. A specific system **sends the tone through the hose** to bring the sound to the welder.
- ◆ The belt, as well as the shoulder strap, is made in **flame retardant material**.
- ◆ The belt includes a cushion to ensure a high comfort level.
- ◆ **Disconnecting the battery is easy** with only one button to push. It is a **lithium battery with an 8-hour lifetime duration**. A stronger one can be put in place for special cases with **14-hour duration ±5% (on request)**. No need to fully discharge the Li-Ion battery before recharging it.
- ◆ Opening the filter is simple by turning a quarter to the left. Two symbols indicate if it is locked or open, this is also indicated inside the filter box.

#### Hose connection and hose cap.

The connection between the flow system and the helmet is made via the hose. The connection with the air flow system is water proof. The helmet includes a quick connection allowing flexibility when the welder moves his head. The hose is protected with an outer covering (75% cotton, 25% Kevlar).



#### Flow circulation

You can choose between:

- ◆ air flow from the top of the helmet **1**
- ◆ or a lateral flow coming from each side at the mix level **2** (only for ZEPHYR),
- ◆ or a mix of these two solutions. These features ensure excellent welder comfort.



Inside, 3 kinds of filters can be included.

- ◆ One pre filter against the biggest particles
- ◆ One particle filter against the dust (> 0.3 micron)
- ◆ One carbon filter against the fumes and the odour.

**The whole system is water proofed.**



Class

**TH2**

Comfort



Arc sensors



Optical class



Respiratory protection



Grind mode / Shade control



Lens switching speed



Variable shades



Viewing area



X-mode



	ZEPHYR 4500 LS	FLIP'AIR 4500 LS
Switching time dark to light	10 positions from 0.1 s to 1 s (setting per digital key)	
Delay setting	10 positions (setting per digital key)	
Mode	Welding Grinding	Yes shade 8 to 13 per digital key Yes shade 4 (per external button) - For FLIP'AIR flip-up LCD for grinding
Cutting		Yes shade 5 to 9 per digital key
X mode*		Yes
Infotrack system**		Yes
Constant UV/IR protection	Yes	
Battery type	2 lithium CR2450 3 Volts	
Mix power (battery/cell)	Yes	
Temperature scale	Use : -5 °C to +55 °C - Storage : -30 °C to +70 °C	
Weight	938 g (helmet) + 1760 g (air flow system)	
Standard	LCD filter: CE EN 379 - Helmet: CE EN 175	

\* X-mode: this mode allows welding in outdoor conditions or with very low arc current

\*\* Infotrack system: provides useful information (current time - total welding time - alarm - temperature)

#### To order

Package (helmet + airflow system + LCD filter)	W000403674	W000403675
LCD filter	W000402681	W000402682

List of spare parts : see page 27



## OPTIONAL ACCESSOIRES\* EUROPURE PLUS 5500 LS

### PAPR - Adjustable Leather Belt Assembly

Adjustable leather belt assembly secures EUROPURE PLUS 5500 LS air purifying blower to operators waist.

Features:

- ◆ Cushioned backpad for enhanced comfort
- ◆ Leather belt offers excellent durability against heat, spatter, sparks and more
- ◆ Slide adjustable fit allows operator to adjust tightness



**PAPR - ADJUSTABLE  
LEATHER BELT ASSEMBLY**

WP403676-29

### Backpack

Replaces belt and shoulder straps to improving weight distribution and comfort.



**BACKPACK**

WP403676-31

### Filter type: A1B1E1K1

Features:

- ◆ Captures organic, inorganic and acidic gases and vapours



**FILTER TYPE:  
A1B1E1K1**

WP403676-30

### Fast-charging Extended battery

Features:

- ◆ Battery type : Rechargeable Li-ion Battery
- ◆ Battery duration : 15 hours (Low speed : 170+ lpm)  
9 hours (High speed : 210+ lpm)
- ◆ Battery charge time : 2 hours
- ◆ Battery life : 550 charges









**FAST-CHARGING  
EXTENDED BATTERY**

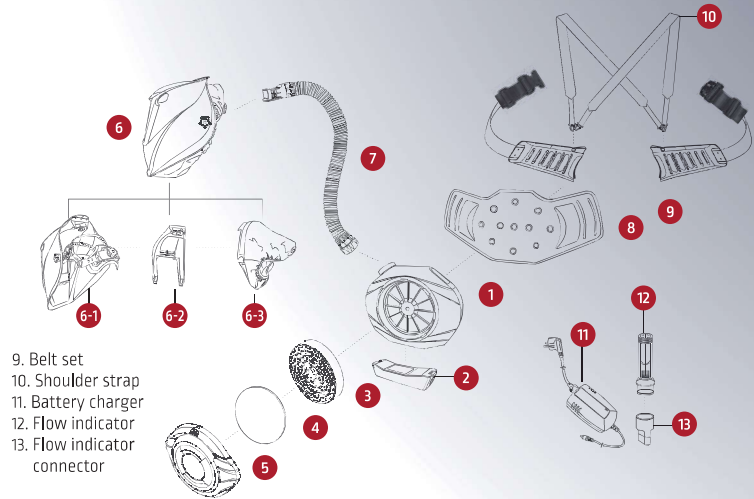
WP403676-2

## Spare parts for ZEPHYR LS / FLIP'AIR LS

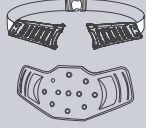
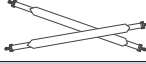
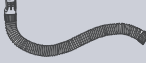
### ZEPHYR air flow system




To order		
	Air flow system body	On demand
	Prefilter Z	W000271207
	Filter cover	On demand
	Flow indicator	On demand
	Particle filter (P3)	W000271208
	2021 Battery	W000271210-1
	2021 Battery charger	W000271211-1
	Flow indicator connector	On demand

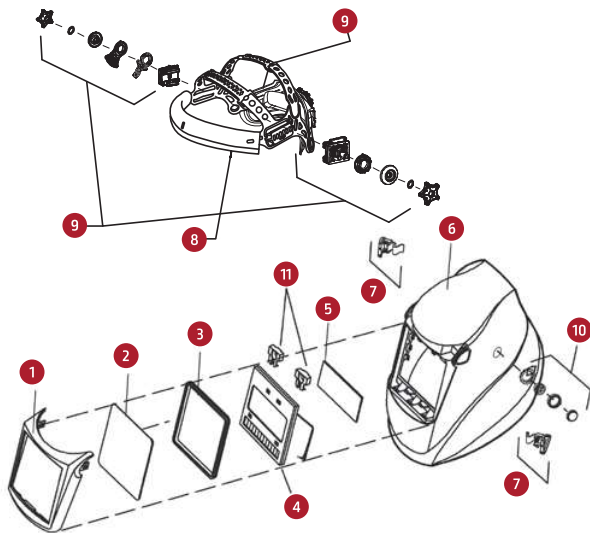
1. Air flow system body
2. Battery
3. Particle Filter (P3)
4. Prefilter
5. Filter cover
6. Helmet Shell
- 6-1. Helmet
- 6-2. Blow
- 6-3. Hood
7. Air hose
8. Belt cushion



9. Belt set
10. Shoulder strap
11. Battery charger
12. Flow indicator
13. Flow indicator connector

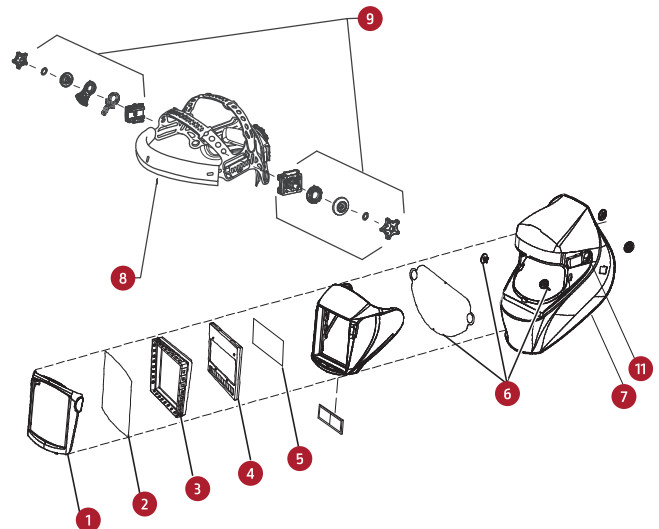
To order		
	Belt and Belt cushion	W000271203
	Shoulder strap	W000271204
	Air hose	W000271205

To order		
Option Item		
	Helmet Shell	W000402494 (ZEPHYR) W000403675-SP-1 (FLIP AIR)
	Odor filter	W000271209
	Air hose cover	W000271206



### ZEPHYR LS 4500

To order		
1 - Front Lens Holder	W000272828-1	
2 - Outside Lens Cover	W000261993	
3 - Gasket, Lens Assembly	W000261992	
4 - Auto-darkening Lens Assembly Advance 4500	W000402681	
5 - Inside Lens Cover	W000261994	
6 - Helmet Shell	W000402494	
7 - Buttons, Front Lens Holder (L/R)	W000276258	
8 - Fabric Sweatban	W000402690	
9 - Headgear I	W000402692	
10 - Kit external grinding button	W000378989	
11 - Spare batteries (CR 2450 lithium)	W000260920	



### FLIP'AIR LS

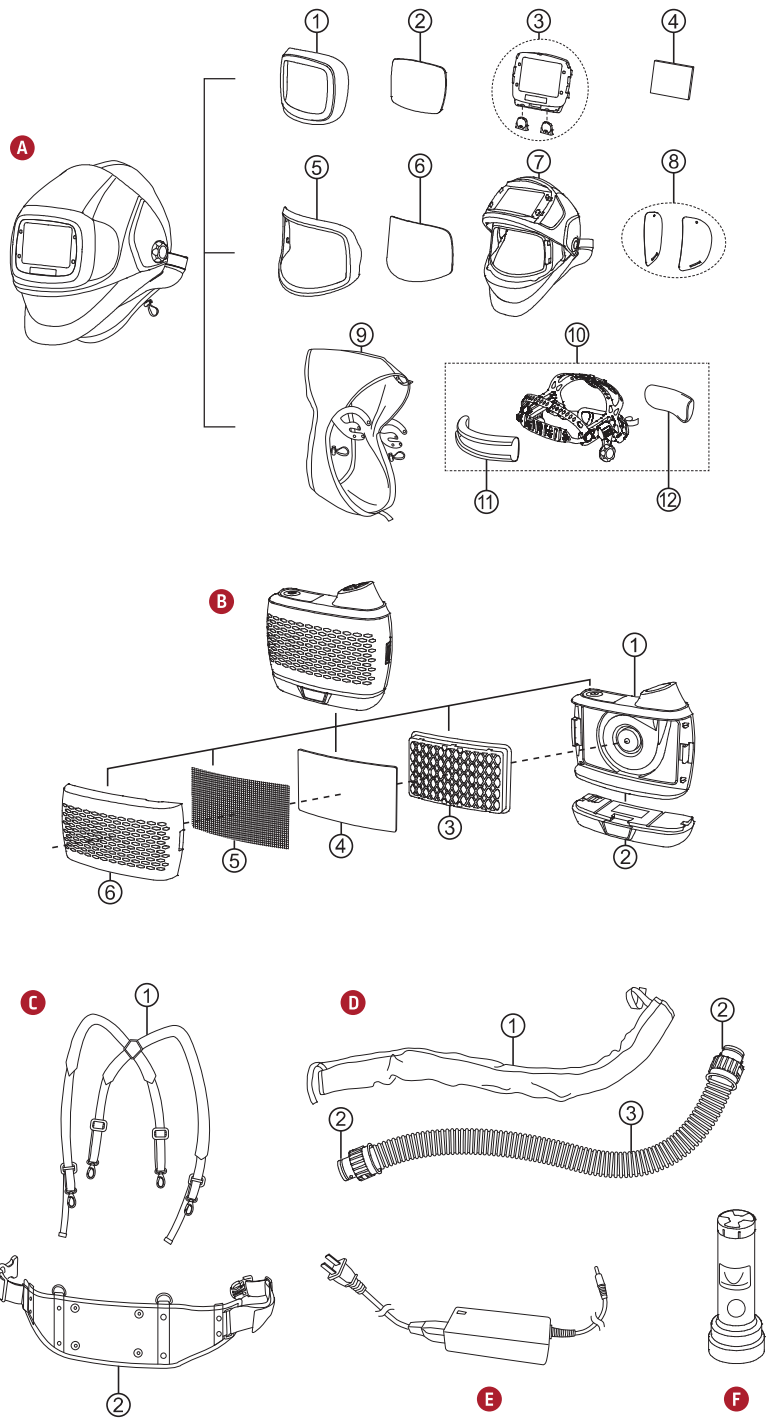
To order		
1 - Front Lens Holder	W000403674-1	
2 - Outside Lens Cover	W000375551	
3 - Gasket for FLIP'AIR LS	W000403675-6	
4 - Auto-darkening Lens Assembly	W000402682	
5 - Inside Lens Cover	W000335163	
6 - Grinding cover kit	W000374799	
7 - Helmet Shell	W000403675-SP-1	
8 - Fabric Sweatband	W000402690	
9 - Headgear I	W000402692	
10 - Spare batteries (CR 2450 lithium)	W000260920	
11 - HINGE X2	W000403675-7	

# HELMETS

## Spare parts for EUROPURE PLUS

### EUROPURE PLUS

To order	
<b>A Helmet with Air Duct Assembly</b>	
A 1	Front lens holder WP403676-4
A 2	Outside cover lens (160.36 x 107.3 mm) WP403676-5
A 3	Auto darkening filter WP403676-6
A 4	Inside cover lens (107 x 80 mm) WP403676-7
A 5	Grind lens holder WP403676-8
A 6	Grind lens (anti-fog, 223 x 129.8 mm) WP403676-9
A 7	Helmet shell with air duct WP403676-10
A 8	Side lens cover WP403676-11
A 9	Face seal WP403676-12
A 10	Headgear (Including sweatband & soft pad) WP403676-13
A 11	Sweatband WP403676-14
A 12	Soft pad WP403676-15
<b>B Blower Unit</b>	
B 1	Body WP403676-16
B 2	Fast-charging standard battery WP403676-1
B 3	Particle filter (P3 filter) WP403676-17
B 4	Pre-filter WP403676-18
B 5	Spark screen WP403676-19
B 6	Filter cover WP403676-20
<b>C Wears</b>	
C 1	Shoulder strap WP403676-22
C 2	Belt cushion (Including screws & washers) WP403676-23
<b>D Hose</b>	
D 1	Hose cover WP403676-24
D 2	O-ring WP403676-25
D 3	Hose (Including O-ring) WP403676-26
<b>E Battery Charger</b>	
E	Fast-charging battery charger WP403676-3
<b>F Airflow Indicator</b>	
F	Airflow indicator WP403676-27
<b>PAPR duffie bag</b>	
PAPR duffie bag	WP403676-28



# RESPIRATORY PROTECTION

## CLEANSPACE2™

A major innovation in personal respiratory protection - a compact and lightweight power unit is cushioned around the back of the neck, counter-balancing the soft silicone low profile mask and providing fresh, clean air, on demand, as you breathe. This unique method of personal respiratory protection delivers significant benefits to workers in industry.



### COMFORT

- ◆ The soft silicone mask seals gently and easily to your face - available in three sizes, to maximise fit.
- ◆ The AirSensit™ System intelligently delivers air on demand, and in unison with your breathing.
- ◆ Compact and light, the respirator sits at the back of your neck and close to your body.

### INNOVATION

- ◆ Ergonomic design: compact with no trailing leads, cables or hoses.
- ◆ Patented micro-turbine toroidal motor generates airflow up to 200L/min with only one moving part.
- ◆ Provides positive pressure inside the mask, with an inbuilt pressure sensor that adjusts the air-flow to prevent contamination.
- ◆ Breath activated On/Off operation.

### EASE OF USE

- ◆ Simple to fit and use.
- ◆ Changing filters is quick and intuitive.
- ◆ Easy to clean.
- ◆ Fast 2 hour charge.
- ◆ On a single charge up to 11 hours\* operating time (\*with CleanSpace2™ Endurance Pack).

### RELIABLE PROTECTION

- ◆ Light silicone mask, ensures a good face seal for long periods.
- ◆ Robust, reliable micro-turbine motor [up to 10 year<sup>1</sup> operating life].
- ◆ High efficiency pleated particulate filter will remove solid and liquid particles.

### COMPATIBILITY



Welding & Safety Helmets



Goggles, Spectacles and Face Shields



Hearing Protection

	CLEANSPACE2™
Comfort Air Flow Settings	3 levels
Maximum Air Flow	200 L/Min
Weight	Power Unit: 485G / Mask: 115 G
Audible Alarm At Ear	75 DB (A)
Life	Motor: 10 years / Battery: 3 years or 500 cycles
Automatic Switch-Off	3 minutes after idle
Internal Battery Duration	Min 4.5 hours (typically > 6 hours)
Internal Battery Charging Time	2 hours (to 95%)
Ac Adaptor Charger Input Range	100 – 240 V
Output Range	13.5 V

### To order

CLEANSPACE2™ respirator unit*	W000386837
Silicon mask small	W000386838
Silicon mask medium	W000386839
Silicon mask large	W000386840
Particle filter P3	W000386841
Pre filter P3	W000386842
Battery charger	W000386843
Head support	W000386844
Large protecting neck	W000386846
Thin protecting neck	W000386847
Adaptor for filter	W000400236
P3 particle high capacity filter	W000400233
Filter A1P3	W000400234
Filter ABE1P3	W000400235

\* Composition: 1 power unit + 1 filter P3 + 1 charger + 2 protecting neck (thin & large) + 1 flow test cap + 1 storage bag + 1 harness